



SnowSentry™

DETECT AND MITIGATE ROOFTOP RISKS EARLY AND PREVENT LOSS



ROOFTOP SNOW LOAD & DEPTH MONITORING

KNOWING WHEN AND WHERE TO REMOVE SNOW = SAFETY AND SAVINGS

If your roof snow removal budget seems unmanageable, unpredictable and expensive, the SnowSentry™ system is a simple and powerful solution that will monitor snow loads and depths across large roofs. SnowSentry™ systems report the data in real-time with triggers that can be configured to alert multiple personnel when critical levels are reached.

Don't just guess - **knowing when and where to remove snow** will not only save you money, it will give you peace of mind in having made an informed decision to keep your people and property safe.

BEST CASE SCENARIO: SAVE MONEY

Use your own staff to install and monitor the SnowSentry™ network - it's easy. Schedule targeted snow removal from your rooftops when it becomes truly necessary, rather than as an estimated precaution after a storm.



DROP AND GO INSTALLATION

Each station can be installed in minutes without the need for experts or customer supplied tools.



WIRELESS COMMUNICATIONS

No extra cables to manage and secure data transfer using robust point to point networking.



SOLAR-POWERED STATIONS

SnowSentry™ stations run off long-life batteries, charged by the sun, that run through the night and 60+ cloudy days.



HIGHLY PORTABLE UNITS

These lightweight stations can be relocated easily and use GPS for automatic positioning.

SNOWSENTRY™ HAS YOUR BACK

The SSR-91 SnowSentry™ system monitors rooftop snow load (pressure) and depth conditions 24/7, wirelessly reporting information to your assigned staff through an intuitive web interface and sending alerts directly to e-mail and mobile devices when critical levels are reached.



WORSE CASE SCENARIO: PREVENT ROOF COLLAPSE

According to a survey by Paramount Disaster Recovery, a leading nationwide disaster response and recovery contracting company, "There are over 3,000 roof collapses each year in the U.S., resulting in over 20 deaths and a widespread disruption of many business operations".



Facility managers and their service providers need to know real-time rooftop conditions to make operational decisions about snow removal and building safety.

The most common unknowns:

1. When and how much snow should be removed?
2. Where are the most critical areas on the roof?

SNOWSENTRY™ WEB APP VIEW

Industrial Corporation, LLC
55 Main Street, Springfield, USA

Alerts

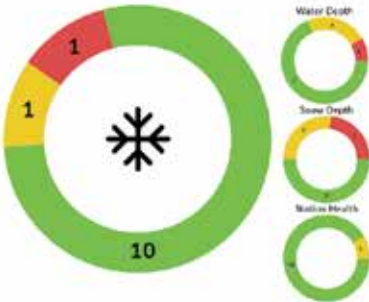
Home

55 Main Street

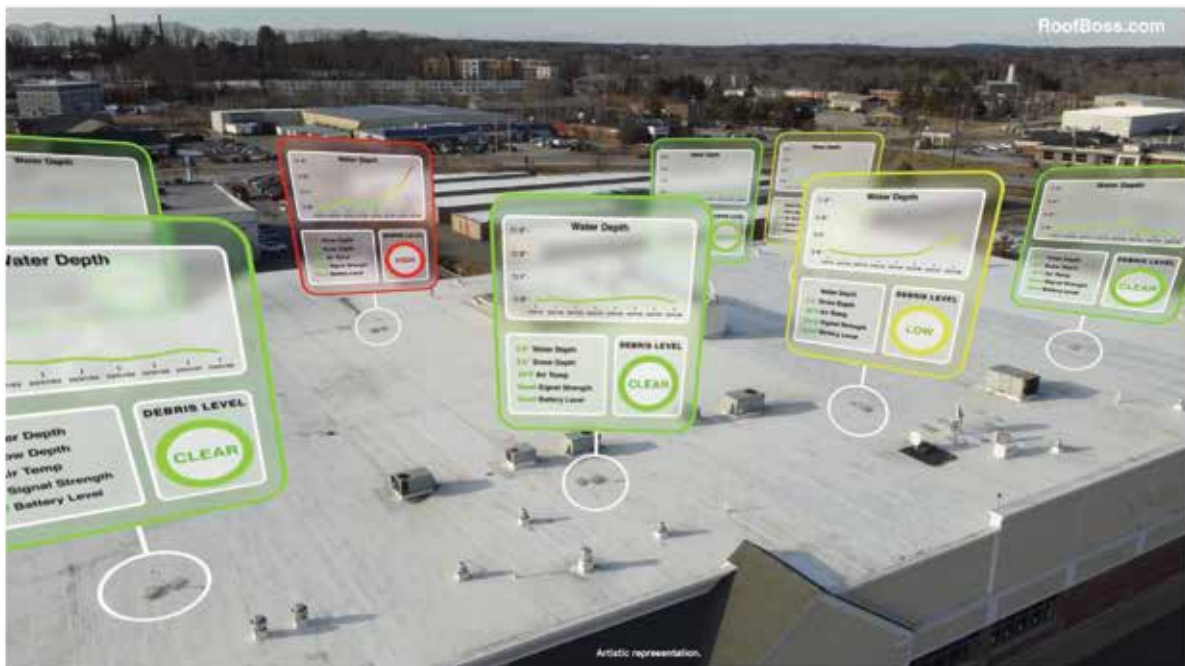
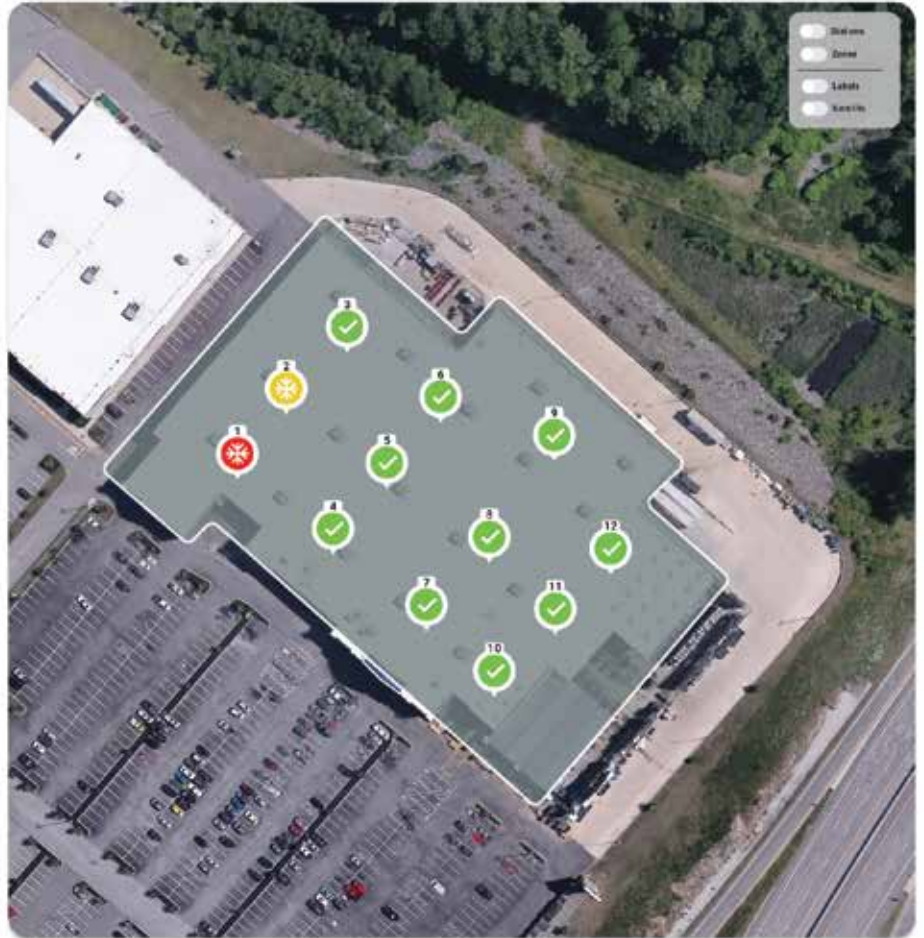
My Account

Facility Overview

Snow Load Water Depth Snow Depth Station Health



Station Name	Last Update	Current Level	Safe Level	Warning Level
Station 01	20m ago	50psf	50psf	30psf
Station 02	21m ago	32psf	50psf	30psf
Station 03	15m ago	19psf	50psf	30psf
Station 04	18m ago	15psf	50psf	30psf
Station 05	30m ago	55psf	50psf	30psf
Station 06	21m ago	32psf	50psf	30psf
Station 07	15m ago	19psf	50psf	30psf
Station 08	18m ago	15psf	50psf	30psf
Station 09	18m ago	15psf	50psf	30psf
Station 10	15m ago	19psf	50psf	30psf
Station 11	18m ago	15psf	50psf	30psf
Station 12	18m ago	15psf	50psf	30psf



PRODUCT AND ACCESSORY FEATURES

Each SnowSentry™ SSR-91 station is designed for quick and easy installation.



✓ PORTABLE & DURABLE

Weight: 55 lbs (25kg)
Base: 41"x41"x1.8" (1052mm x 1052mm x 45mm)
Controller & Mast: 58.3" (1481mm)
Measurement Capacity is 90 PSF (439 kg/m²)
Wind Tolerant to over 90 MPH (145 km/h)

✓ CONNECTIVITY

A 900 MHz wireless network connects stations to the Internet Gateway which in turn connects to the Internet using a cellular modem or the building's LAN.

GPS gives each station an accurate, known position on the roof.

✓ COMMUNICATIONS

Long-range, secure wireless protocols allows seamless data transfer using the building's internet access.

Customized alerts can be sent to owners, managers, roof services personnel, etc.

Overloaded stations are identified on a roof map directing snow removal teams to key areas.

✓ OPTIONAL

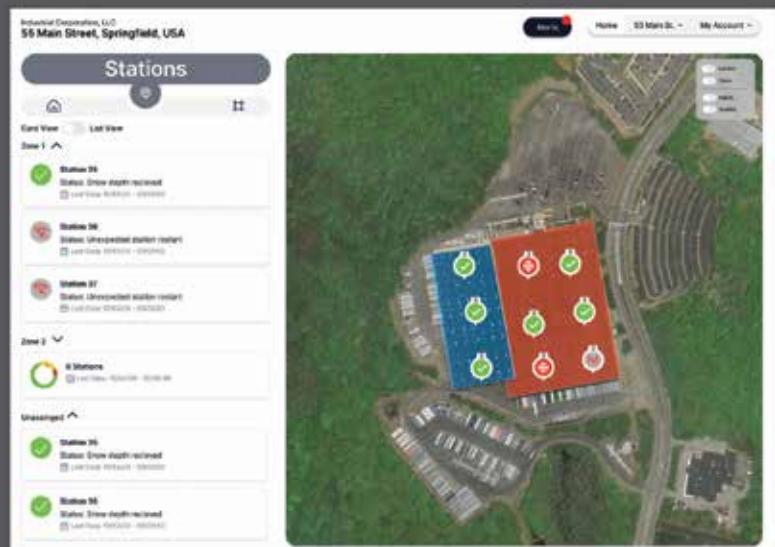
* ROOF DRAIN TEMPERATURE SENSING Identifies freezing conditions around roof drains.

* CELLULAR CONNECTIVITY Used when wire-based internet access is unavailable.

* MAST EXTENSION KIT Used where the sun is blocked or in extremely deep snow areas.

REMOTELY MONITOR ROOFS/CUSTOMIZE ALERT LEVELS

1. The SnowSentry™ system will help you understand where snow has accumulated on your roof through the winter.
2. Intuitively displayed real-time data from every station help to visualize loading across roofs and identify the important regions get cleared.
3. Set automatic alerts to be sent out to key personal via phone & e-mail at critical snow load levels.



SYSTEM INSTALLATION

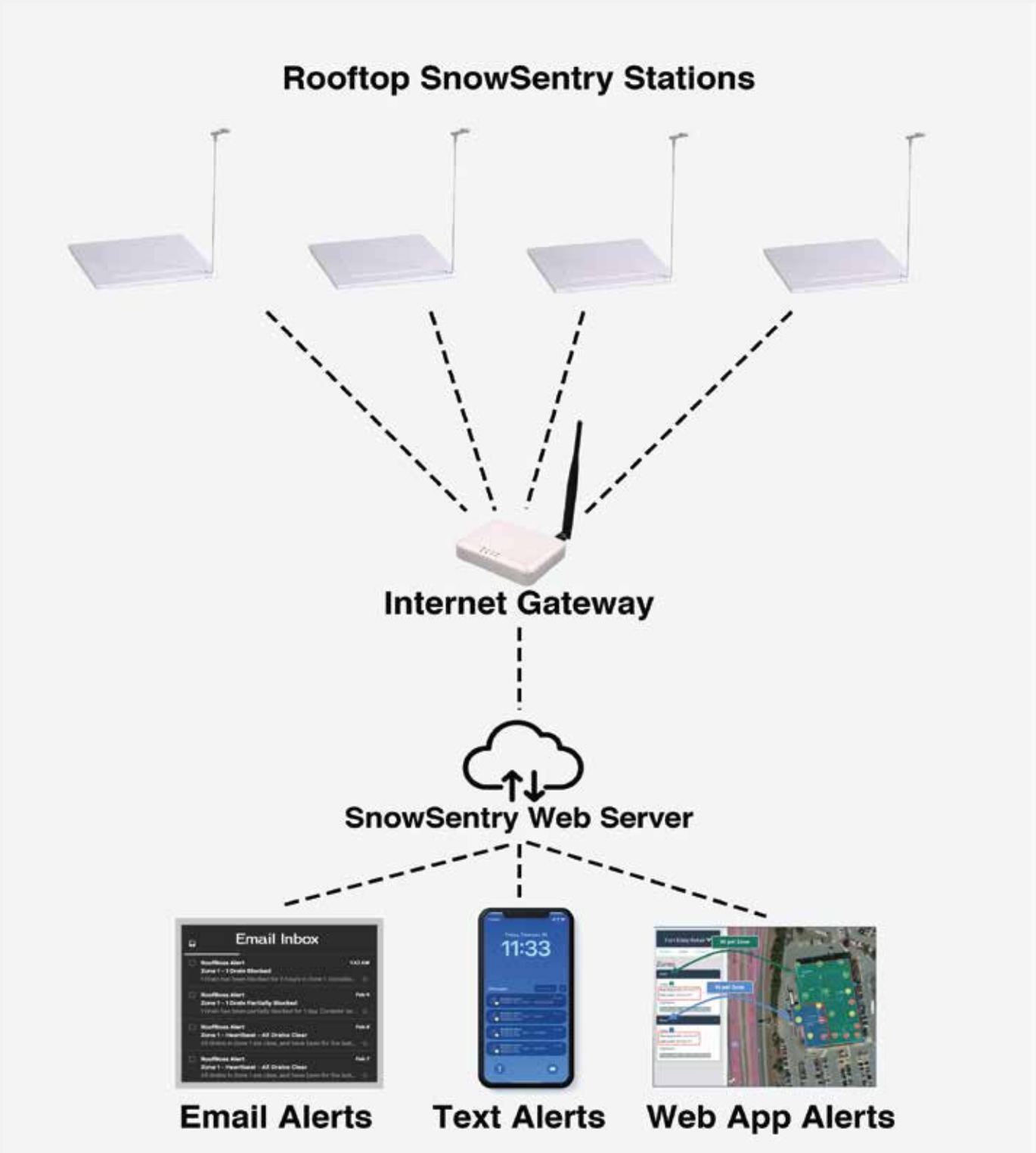
Setting up the wireless SnowSentry™ System is quick and easy.

- ✔ Place stations on roof (assembly takes minutes) and push power button
- ✔ Place the Internet Gateway inside the building near an exterior wall and connect to AC power and LAN (for wired units)
- ✔ Launch SnowSentry™ web app, view data, and add contacts to receive alerts



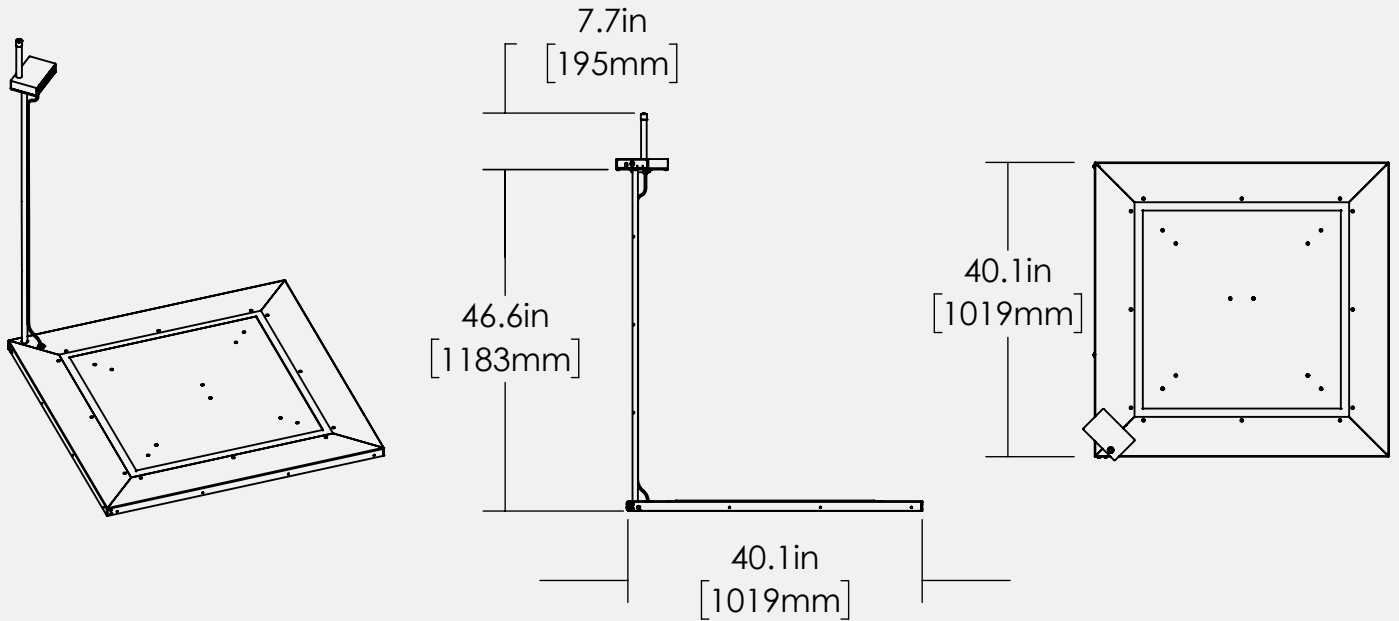
SNOWSENTRY™ SYSTEM DIAGRAM

Wireless SnowSentry™ stations are placed across the roof, though more closely where snow tends to build up near parapets, walls and equipment causing overload conditions. Stations are geo-located in user-defined roof zones configured with a specific alert threshold based upon a roof's structural capacity. Snow load data is displayed in real-time through the web app and personal are notified by their mobile device or the web app when conditions reach warning and unsafe levels.



PRODUCT DIMENSIONS & TECHNICAL SPECIFICATIONS

SSR-91 SnowSentry™ STATION P/N 110835



Snow Load Capacity	90 psf (439 kg/m ²)
Power Input	Solar powered
Days Between Full Charge	60+ Days
Weight	55 lbs (25 kg)
Dimensions	Base only: 41" x v 41" x 1.8" (1052mm x 1052mm x 45mm) w/ controller on mast: 58.3" (1481mm) height
Waterproof IP Rating	Base: IP68, antenna & controller: IP67
Operating Temperature	-22° F to +140° F (-30° C to +60° C)
Wind Tolerance	Over 90 MPH (145 km/h)
Data Connectivity	Wireless 900 MHz

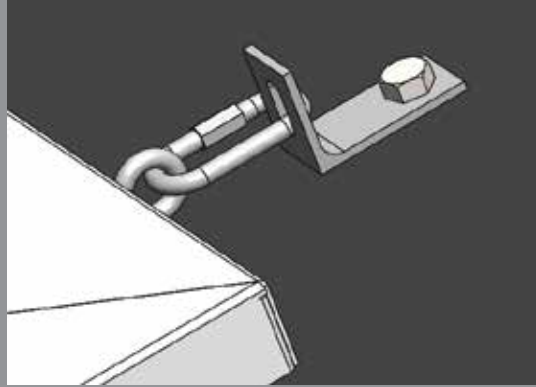


Power Input	100-240VAC, <5W
Power Connection	Standard North American Wall Plug
Weight	1 lbs (0.4 kg)
Dimensions	6.5 x 5.0 x 1.5 " (166 x 127.5 x 36 mm)
Location	Interior only. Desktop or Wall Mount
Wireless Connectivity	Wireless, 915 MHz
Ethernet Data Rate	10/100 Mbps (auto-sensing)
Ethernet Backhaul	Wired LAN or Cellular (requires data plan)
Operating Temperature	14°F to 131°F (-10°C to 55°C)
Emissions/Immunity	FCC Part 15 Compliant

USE A SLOPE KIT TO KEEP YOUR SNOWSENTRY IN PLACE ON SLOPED ROOFS

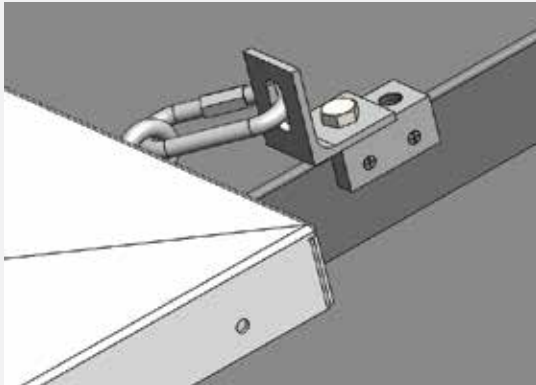
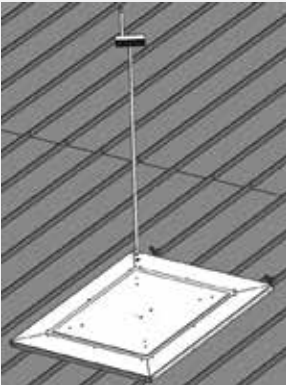
MEMBRANE ROOF SLOPE KIT

P/N 110806



- (2) Eyebolts
- (2) Quick Links
- (2) Angle Brackets
- (1) Controller Mast 15° Elbow

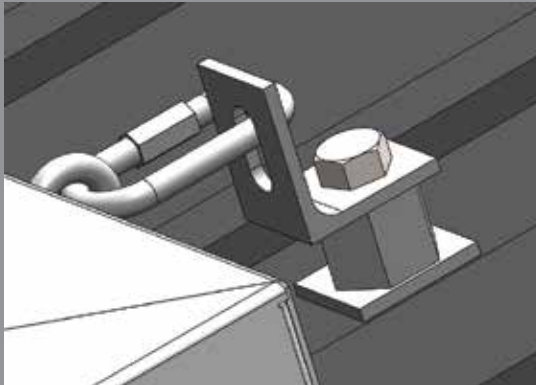
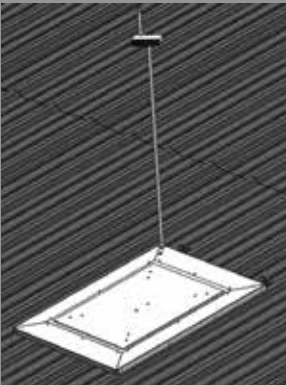
STANDING SEAM ROOF SLOPE KIT P/N 110805



- (2) Eyebolts
- (2) Quick Links
- (2) Angle Brackets
- (2) Seam Mount Blocks
- (1) Controller Mast 15° Elbow

CORRUGATED ROOF SLOPE KIT

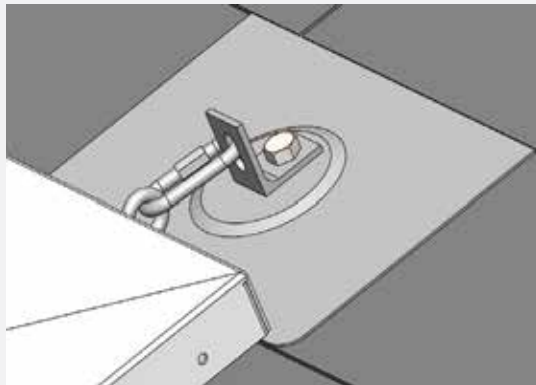
P/N 110804



- (2) Eyebolts
- (2) Quick Links
- (2) Angle Brackets
- (2) Mount Blocks
- (2) Mounting Bolts
- (1) Controller Mast 15° Elbow

SHINGLED ROOF SLOPE KIT

P/N 110803



- (2) Eyebolts
- (2) Quick Links
- (2) Angle Brackets
- (2) Flashing Mounts
- (2) Mounting Bolts
- (1) Controller Mast 15° Elbow



ABOUT OUR COMPANY

Our Experience Is Just the Beginning

2KR Systems designs and manufactures commercial electromechanical and software products.



CONTACT US

+1 603 397 3330

info@2KRsystems.com

www.SnowSentry.com