



# PORTABLE CABLE REEL • PCR-610

2nd Generation Cable Handling System

2KR Systems



## DESCRIPTION

The rugged and mobile PCR-610 Portable Cable Reel holds over 180 meters (600 ft) of 6 mm (0.23 in) diameter cable for connection to your field equipment. The PCR-610 is an economical cable reel supplied without a slip ring (rotary joint) letting the user install most any small diameter cable regardless of connector type. Just pull out the needed cable from the large access hole then plug in the stationary end which stows on the drum flange face. Cable deployment and recovery is controlled by a drum-mounted revolving handle for easy cable control. A variable friction brake sets the drag preventing free-spooling. All materials are durable and corrosion resistant for long service life. (Customer-supplied cable shown)

## FEATURES

- Highly Portable; One Hand Lift for Rapid Deployment
- Variable Friction Brake Controls Drum Rotation
- Slide Down Feet with Captive Hardware Deploy in Seconds. No loose parts to get lost.
- All Weather Construction; Hose-Down Rinse Inside and Out. Drain holes across base.
- Additional Axle Support when Lid is Closed
- Interior Storage for “Deck Cables” and other items
- Double Ended Axle Support Resists Shock Loads
- Store “Deck Cables” and other items inside
- Can be supplied with customer-selected cable

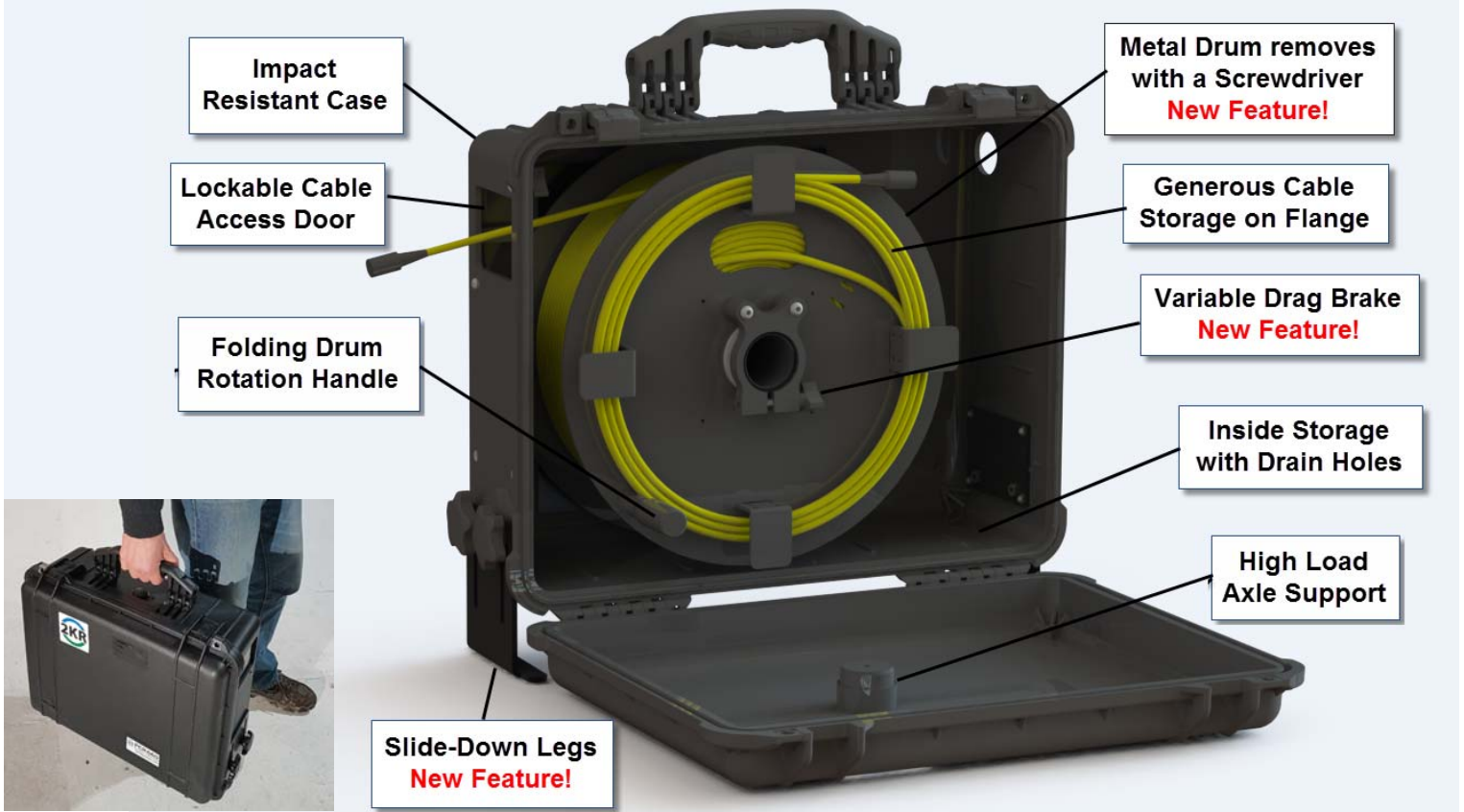
## APPLICATIONS

- ◆ **Television & Video Production**
- ◆ **Oceanographic, Side Scan Sonar (SSS), ROVs, Aerial Drones (UAVs)**
- ◆ **UUV / AUV Support Cables**
- ◆ **Communications Equipment**
- ◆ **Mobile Satellite Antennas**
- ◆ **Emergency Services**
- ◆ **Remote Cameras and Sensors**
- ◆ **Mobile Networks**

**Call or email us to discuss your application and to see how the Portable Cable Reel can enhance your product line and field operations.**

Made in the USA by 2KR Systems, LLC

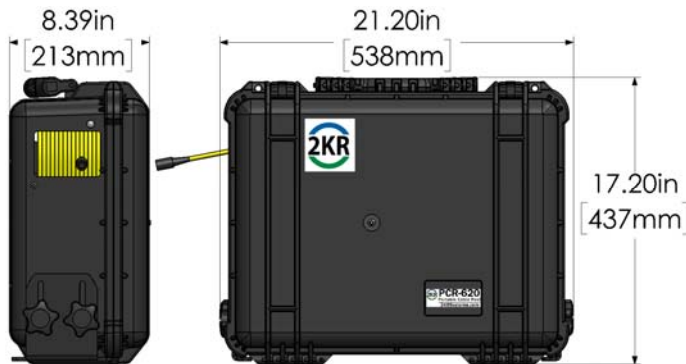
www.@2KRsystems.com • info@2KRsystems.com • voice 603-397-3330



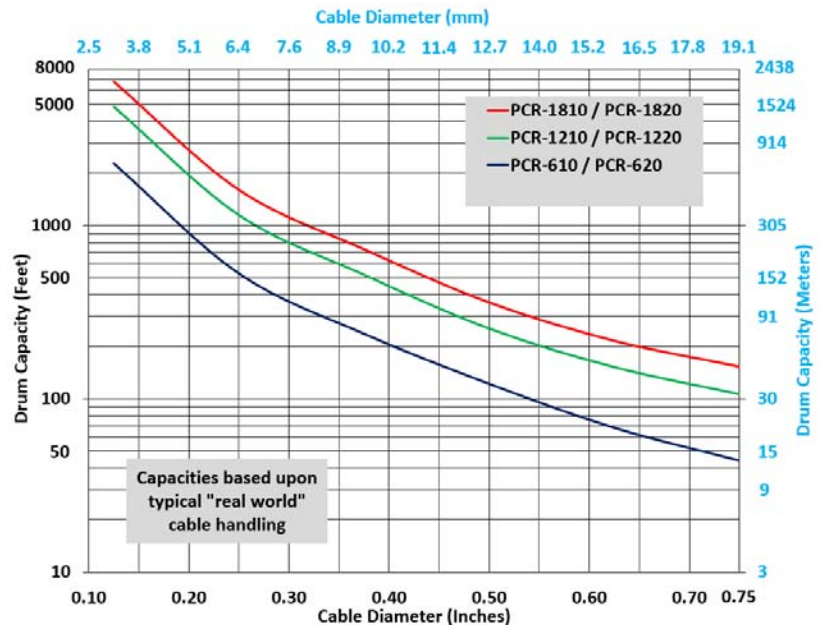
PCR-610 SPECIFICATIONS

**Weight:** 20 lbs (9.1 kg) nominal (w/o cable)

**Drum Dimensions:** 6.0x in (152 mm) Drum Diameter  
 14.0 in (356 mm) Flange Diameter  
 4.9 in (122 mm) Drum Length



Cable Capacity



Call or email us to discuss your application and to see how the Portable Cable Reel can enhance your product line and field operations.

Made in the USA by 2KR Systems, LLC

www.@2KRsystems.com • info@2KRsystems.com • voice 603-397-3330